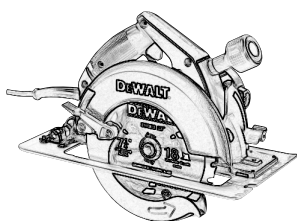


## What's Included

- Top and Bottom Rails
- Third (Middle) Rail  
(if applicable)
- Balusters
- Rail Mounting Brackets
- 16 #12 screws and 8 pan-head screws (24 and 12 if Third Rail)
- Screw covers

## Suggested Tools



Saw w/fine-tooth  
aluminum blade



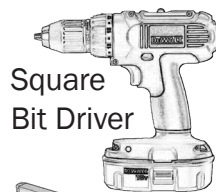
Tape Measure  
& Pencil



Safety Glasses

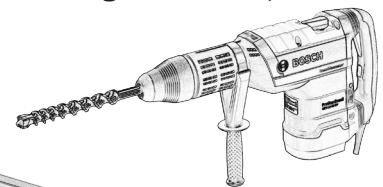


Rubber  
Mallet



Square  
Bit Driver

Hammer Drill & 1/4" Masonry Bit  
(if installing on concrete)

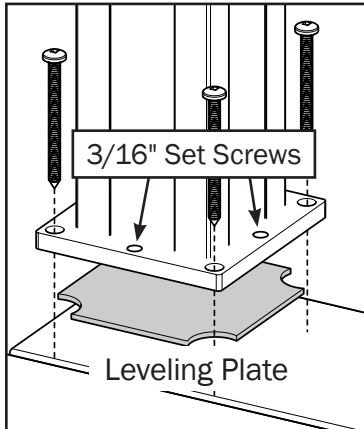


Level

*These directions are only a guide and may not address every situation. The installer should obtain all required building permits and follow all installation procedures in accordance with applicable building code requirements. Cardinal Building Products shall not be held liable for improper or unsafe installations. Always wear proper safety equipment.*

**1**

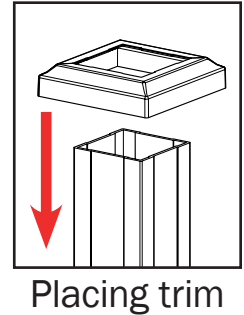
## Install Railing Post & Post Trim



Space posts according to top rail length and attach to structural surface using bolts or lags (not included).

Place leveling plate (highlighted) between post and mounting surface. Using 3/16" Allen wrench, turn set screws to level post.

Check your local building codes to determine structural mounting requirements for post.

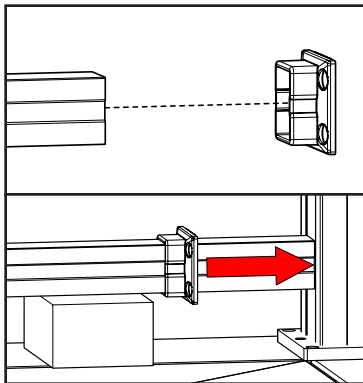


Placing trim

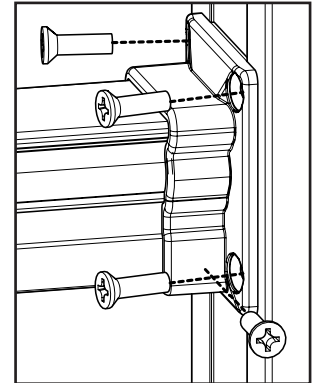
**2**

## Attach Bottom Rail

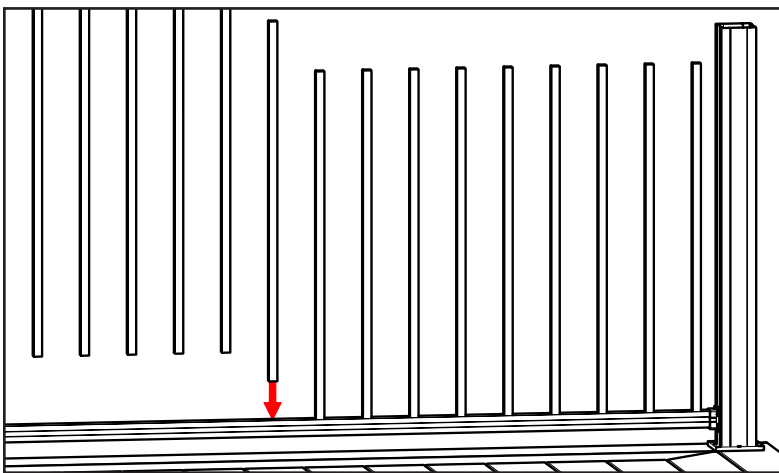
Cut rail to proper length by cutting equal amount from each end and avoid cutting through baluster holes to ensure code compliance.



Slide the bracket over the rail, then put the rail in place (2½" between rail and surface) and slide the self-centering bracket against the post. Fasten bracket to post using #12 screws, and secure bracket to railing using pan-head screws.

**3**

## Install Balusters

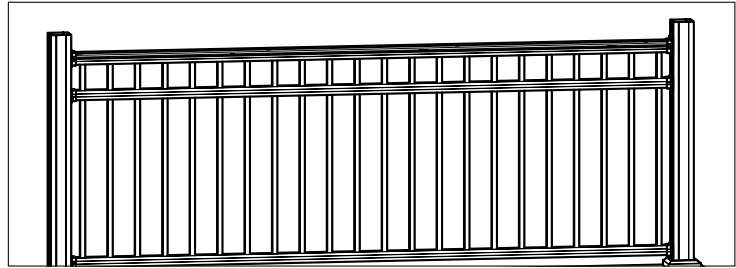
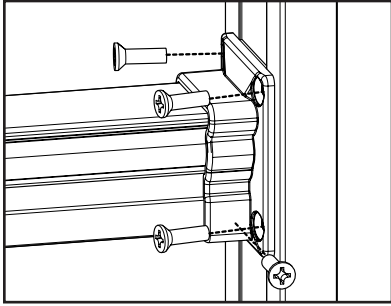


Insert balusters into the holes in the bottom rail. Push firmly to set.

**4**

## Attach Middle Rail (if applicable) and Top Rail

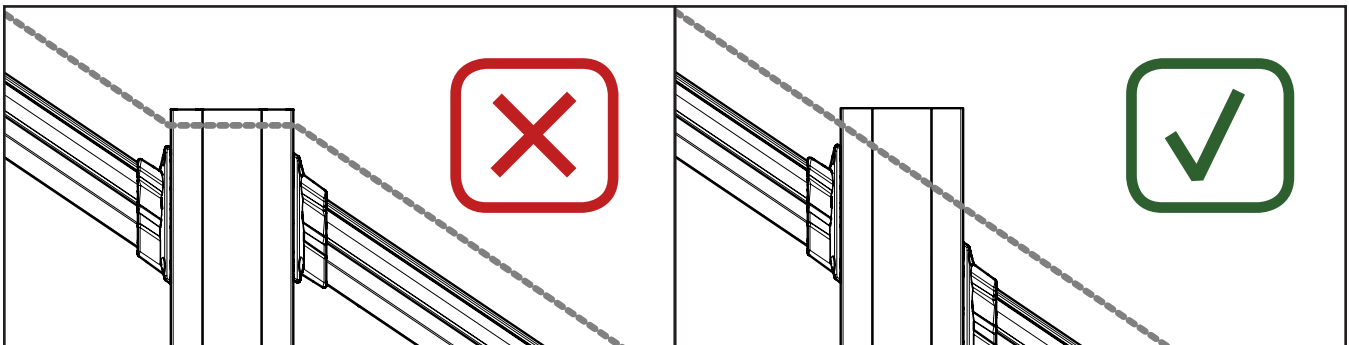
Place *third rail* (if applicable) onto balusters, going from one end to the other, and fasten to post using self-centering brackets and #12 screws. Secure bracket to railing using pan-head screws. Repeat for top rail.



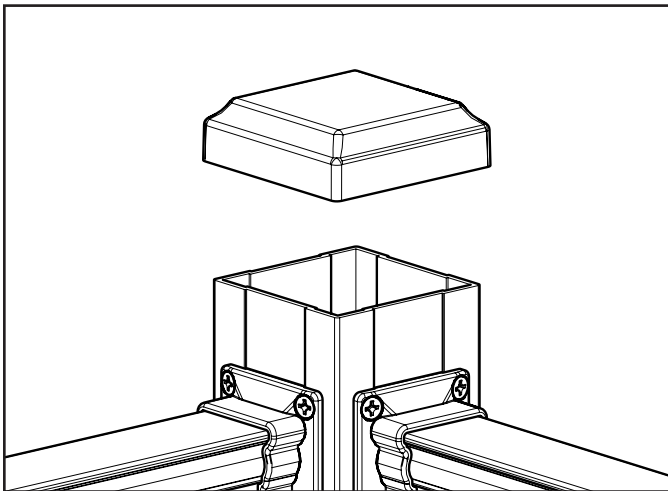
(Third Rail option shown)

**!**

**When installing stair sections, mount them as shown below:**

**5**

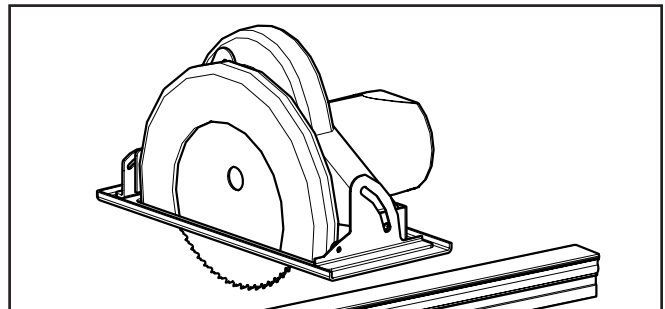
## Install Post Cap



Place cap on post and use soft or rubber mallet to set in place.

**i**

## Cutting Tip



If you need to cut rails or balusters, be sure to use a **fine-tooth blade approved for cutting aluminum** and rest them on a piece of **non-abrasive material** to protect from scratches.



150 Orlan Road • New Holland, PA 17557